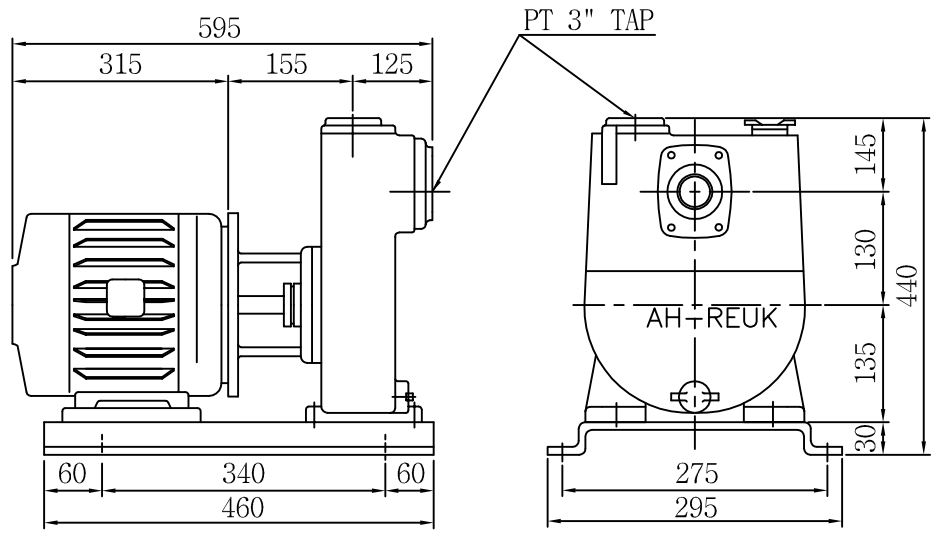



품 번 PART NO	명 칭 MOMENCLATURE	재 질 MAT'L	수 량 Q'TY	규 격 SPECIFICATION	비 고 REMARKS
01	HOSE CAT	GC200	2		
02	SUCTION FLANGE	GC200	1	∅ 80	
03	SUCTION VALVE	GC200	1		
04	CASING	GC200	1		
05	DISCHARGE FLANGE	GC200	1	∅ 80	
06	IMPELLER	GC200	1		
07	O-RING	RUBBER	1		
08	M/C SEAL	F-10	1		
09	HOLDER	GC200	1		
10	BALL BEARING		1	6206	
11	MOTOR COVER		1		
12	FRAME				
13	STAOR CORE	RM10	1		
14	ROTOR CORE	RM10	1		
15	COIL		1		
16	FAN	AL	1		
17	MOTOR COVER	GC200	1		
18	SHAFT	STS304	1		
19	BALL BEARING		1	6205	



 (주) 아룩전기 AH-REUK ELECTRIC CO.,LTD			TITLE	GENERAL & EXTERNAL DWG
SCALE	/	DATE	TYPE	ARSP - 80
APP'D BY	CHK'D BY	DRAWN BY	AHREUK DWG. NO.	5HP * 4P (SEAL TYPE)
		H . S CHO		